

SP161025P15

PV COMBINER BOX 16 STRINGS - FUSE 15A - SWITCH DISCONNECTOR 250A + SURGE PROTECTOR



Code 029SP161025P15

EAN 8430892302814

Product description

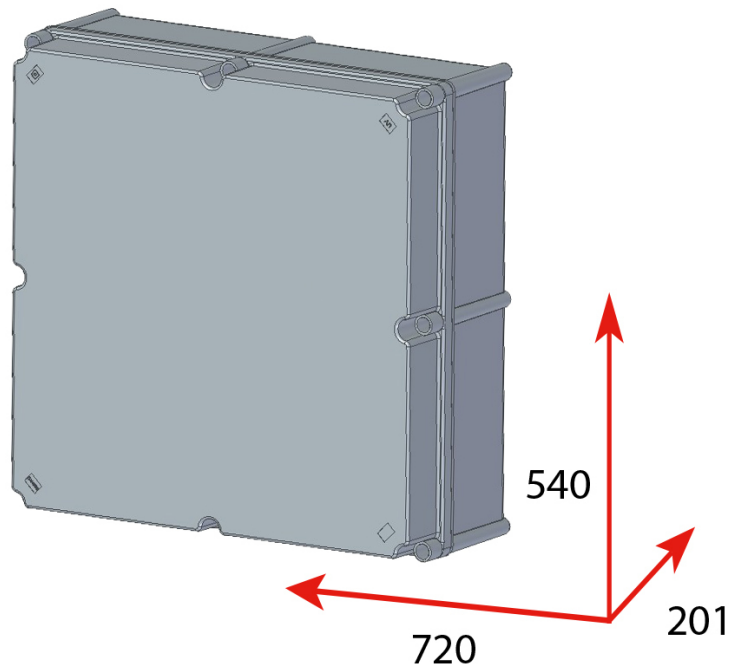
PV combiner box for 16 strings + fuseholder and 15A gPV fuse + switch-disconnector 250A +surge protector class II maximum voltage 1000Vdc, to set up reliable and safe installations. Box in selfextinguishing glass reinforced polyester with cover in transparent polycarbonate. Enclosure bottom part equipped with individual cable glands for each string, for the load output and the earthing output. Protection screens on the switch live parts. Safety signs according to standard requirements. Dimensions 540x201x720mm.

Technical data

Combiner box technical data

No. of strings per tracker	16
Maximum voltage (Uoc max)	1000 V
Fuse current	15 A
Class II surge protection	PST31PV
Maximum continuous operating voltage (Ucpv)	1060 VDC
Nominal discharge current (In)	20 kA
Maximum discharge current (Imax)	40 kA
Protection level at In (Up)	3.6 kV
Standards	IEC EN 6143-1/2

Dimensions



Connection

